



[Motorola 340 Program Software Download](#)

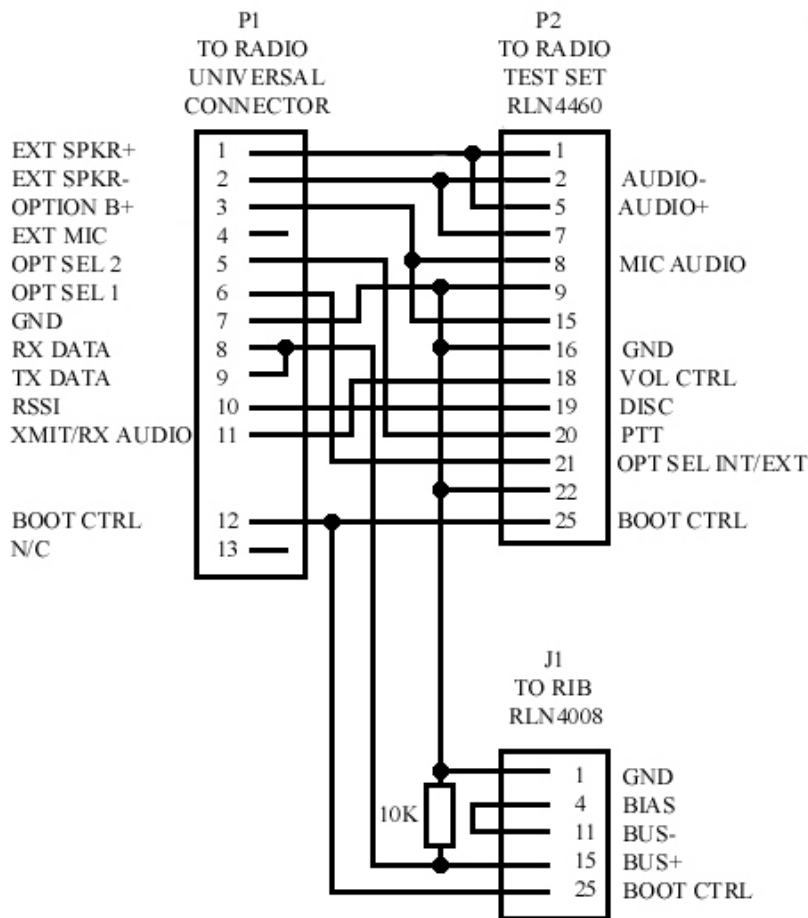
GENERAL INFORMATION

The RKN4074 Programming/Test Cable connects the radio to the RLN4008 Radio Interface Box (RIB) for radio programming, and/or to the RLN4460 Radio Test Set for radio testing. The RIB and the radio test set can be connected at the same time and not interfere with each other.

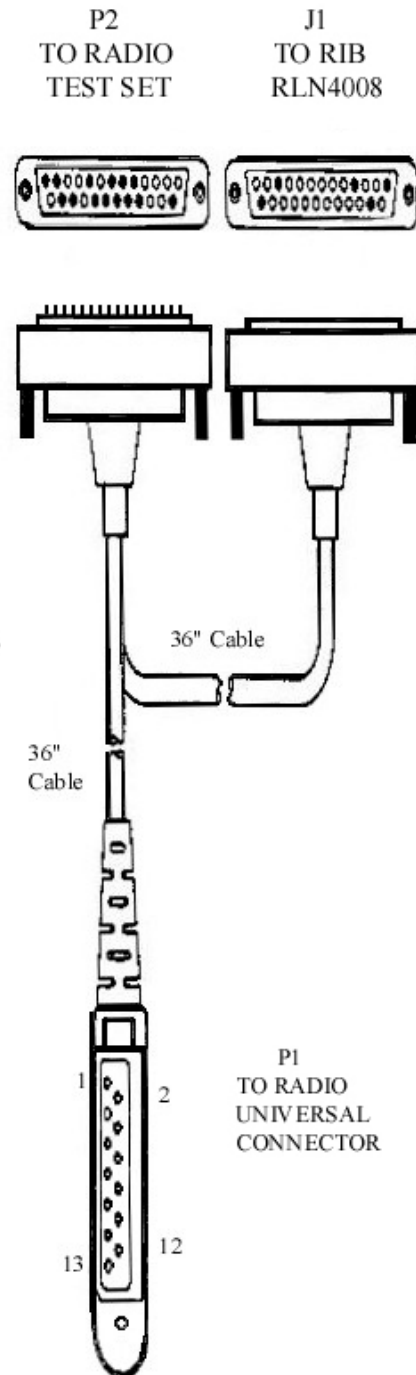
SERVICE

The RKN4074 Programming/Test Cable is not repairable. Order a replacement cable as necessary.

SCHEMATIC DIAGRAM



CONNECTOR DETAIL



[Motorola 340 Program Software Download](#)



motorola program software

motorola program software, motorola cdm1250 program software, software to program motorola radios, software program motorola gm338, how do i program my motorola software, software to program motorola cp200d, software program ht motorola, professional radio cps (software program motorola), software to program motorola ht1250, software program motorola cp1660

software to program motorola radios

how do i program my motorola software

3585374d24